

SWITCH MODE POWER SUPPLY (SMPS)



ALFATECH ENGINEERS PVT. LTD.



SMPS CATALOG



(+91) 9890 205159



amitalfatechengineers@gmail.com
sales@alfatechengineers.in



OPP DHAWANS NURSERY, RAMBAUG LANE
UPVAN, POKHARAN ROAD 1, THANE(W)-400606 MH

SWITCH MODE POWER SUPPLY (SMPS)



ALFATECH ENGINEERS PVT. LTD.

OS & OSC Series	Open Type	Single Output: 24W, 35W, 72W Dual Output: 30W
	Din Rail Metal Case	Single Output: 75W, 120W, 180W, 240W, 350W Dual Output: 100W
ES & ESC Series	Panel Mount Metal Case	Single Output: 75W, 120W, 180W, 240W, 350W, 500W, 600W Dual Output: 100W
	Din Rail Plastic Case	Single Output: 35W, 50W, 72W, 100W, 125W
PES Series	Panel Mount Plastic Case	Single Output: 24W, 72W, 100W, 125W
	Din Rail Metal Case	Single Output: 350W
LES Series	Panel Mount Metal Case	Single Output: 350W

Ordering Information:

AEPL-XXX-XX-XX-XX
 ↓ ↓ ↓ ↓ ↓
 1 2 3 4 5

1	COMPANY'S NAME
2	SERIES
3	RATED OUTPUT POWER
4	RATED OUTPUT VOLTAGE
5	MOUNTING (RM-Din Rail, WM-Wall Mount)

Applications:



Smart Infrastructure / IoT

- Elevator
- Escalator
- Data center
- HVAC



LED Signage/ Display LED Lighting



Factory Automation

- Automation process
- Automation engineering



Warehouse Automation

- Automatic door
- Vending machine
- ATM



OEM / ODM

- Pharma/Lab Equipment
- Packaging & Textile
- Automobile



Home Automation

- Electrical appliances
- Home automation controller



(+91) 9890 205159



amitfatechengineers@gmail.com
sales@alfatechengineers.in



OPP DHAWANS NURSERY, RAMBAUG LANE
UPVAN, POKHARAN ROAD 1, THANE(W)-400606 MH

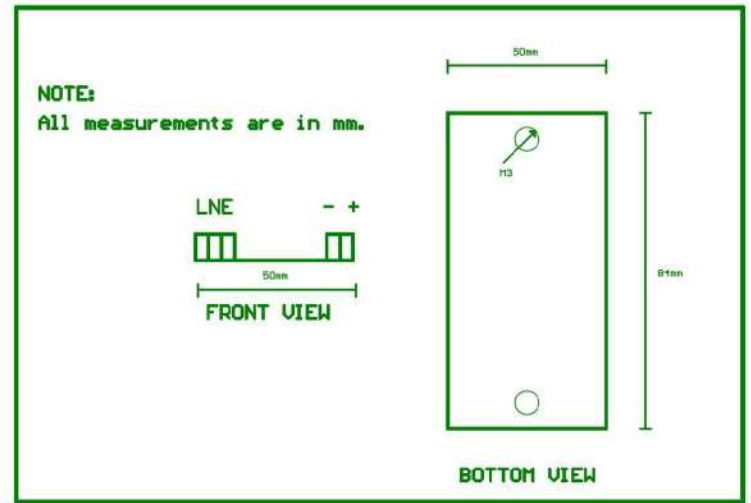
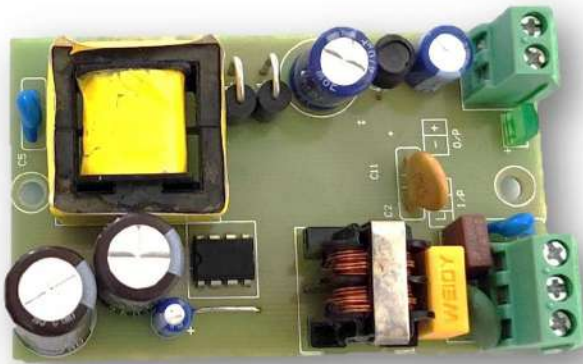
SWITCH MODE POWER SUPPLY (SMPS)



ALFATECH ENGINEERS PVT. LTD.

AEPL-OS-24

(OPEN TYPE SINGLE OUTPUT 15~24W)



SELECTION GUIDE:

Model Number	Output Power (Watt)	Output Voltage and Output Current (V/I)	Efficiency
AEPL-OS-24-5	15W	5V/3A	>85%
AEPL-OS-24-12	24W	12V/2A	>85%
AEPL-OS-24-15	15W	15V/1A	>85%
AEPL-OS-24-24	24W	24V/1A	>85%

INPUT SPECIFICATIONS:

AC Input Voltage	90 to 300V AC
DC Input Voltage	130 to 400V DC
Input Voltage Frequency	47Hz to 63Hz
Input Current	1A Typical at 230V AC
Input Inrush Current	Limited by NTC Thermistor to 35A
Leakage current	<2 mA at 230V AC

OUTPUT SPECIFICATIONS:

Line Regulation	±1%
Load Regulation	±1%
Ripple and Noise	150mVp-p
Hold Time	20mS

PROTECTIONS:

Over voltage protection	115%~150%
Overload/Short Circuit Protection	>105% hiccup mode, auto-recovery



(+91) 9890 205159



amalfatechengineers@gmail.com
sales@alfatechengineers.in



OPP DHAWANS NURSERY, RAMBAUG LANE
UPVAN, POKHARAN ROAD 1, THANE(W)-400606 MH

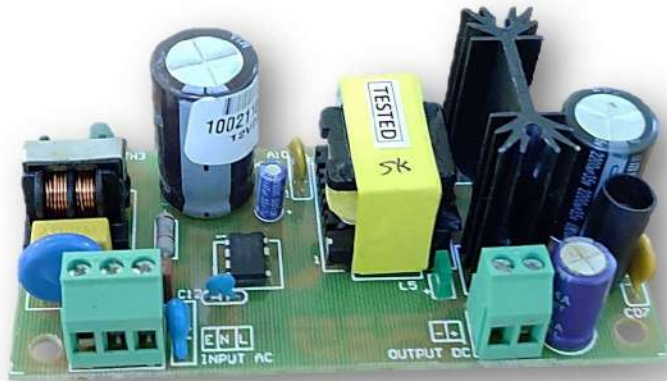
SWITCH MODE POWER SUPPLY (SMPS)



ALFATECH ENGINEERS PVT. LTD.

AEPL-OS-72

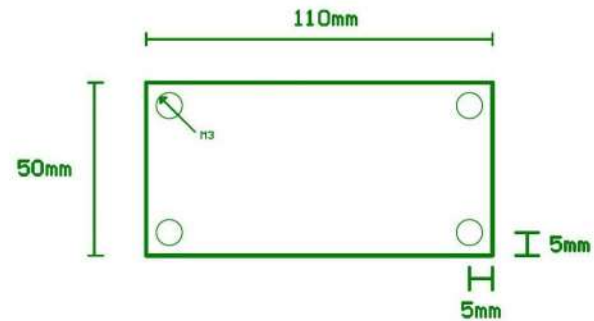
(OPEN TYPE SINGLE OUTPUT 30~72W)



NOTE:

All measurements are in mm.

All Mounting Holes are M3.



SELECTION GUIDE:

Model Number	Output Power (Watt)	Output Voltage and Output Current (V/I)	Efficiency
AEPL-OS-72-5	30W	5V/6A	>85%
AEPL-OS-72-12	60W	12V/5A	>85%
AEPL-OS-72-24	72W	24V/3A	>85%

INPUT SPECIFICATIONS:

AC Input Voltage	170 to 270V AC
DC Input Voltage	200 to 380V DC
Input Voltage Frequency	47Hz to 63Hz
Input Current	1A Typical at 230V AC
Input Inrush Current	Limited by NTC Thermistor to 35A
Leakage current	<2 mA at 230V AC

OUTPUT SPECIFICATIONS:

Line Regulation	±1%
Load Regulation	±1%
Ripple and Noise	150mVp-p
Hold Time	20mS

PROTECTIONS:

Over voltage protection	115%~150%
Overload/Short Circuit Protection	>105% hiccup mode, auto-recovery



(+91) 9890 205159



amitalfatechengineers@gmail.com
sales@alfatechengineers.in



OPP DHAWANS NURSERY, RAMBAUG LANE
UPVAN, POKHARAN ROAD 1, THANE(W)-400606 MH

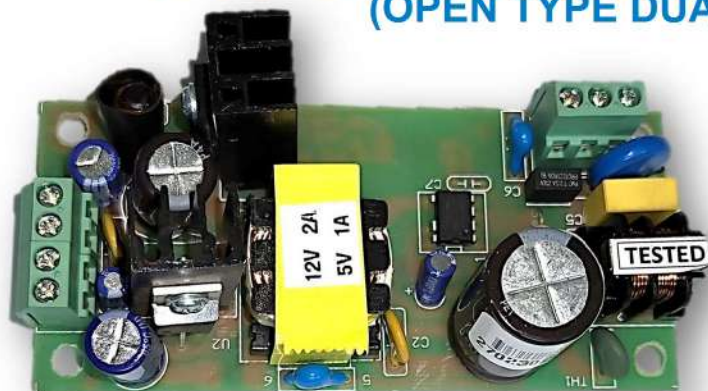
SWITCH MODE POWER SUPPLY (SMPS)



ALFATECH ENGINEERS PVT. LTD.

AEPL-OSC-35

(OPEN TYPE DUAL OUTPUT 20~35W)



SELECTION GUIDE:

Model Number	Output Power (Watt)	Output Voltage and Output Current (V/I)	Efficiency
AEPL-OSC-35-A	26W	3.3V4A/24V0.5A	>85%
AEPL-OSC-35-B	19W	3.3V4A/5V1A	>85%
AEPL-OSC-35-C	32W	5V4A/24V0.5A	>85%
AEPL-OSC-35-D	25W	10V2A/5V1A	>85%
AEPL-OSC-35-E	29W	12V2A/5V1A	>85%
AEPL-OSC-35-F	31W	13V2A/5V1A	>85%
AEPL-OSC-35-G	29W	24V1A/5V1A	>85%

INPUT SPECIFICATIONS:

AC Input Voltage	170 to 270V AC
DC Input Voltage	200 to 380V DC
Input Voltage Frequency	47Hz to 63Hz
Input Current	1A Typical at 230V AC
Input Inrush Current	Limited by NTC Thermistor to 35A
Leakage current	<2 mA at 230V AC

OUTPUT SPECIFICATIONS:

Line Regulation	±1%
Load Regulation	±1%
Ripple and Noise	150mVp-p
Hold Time	20mS

PROTECTIONS:

Over voltage protection	115%~150%
Overload/Short Circuit Protection	>105% hiccup mode, auto-recovery



(+91) 9890 205159



amitalfatechengineers@gmail.com
sales@alfatechengineers.in



OPP DHAWANS NURSERY, RAMBAUG LANE
UPVAN, POKHARAN ROAD 1, THANE(W)-400606 MH

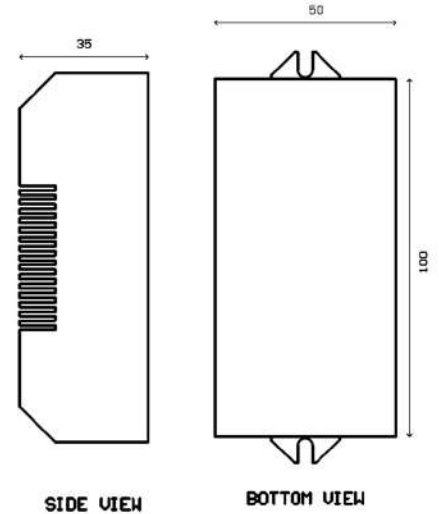
SWITCH MODE POWER SUPPLY (SMPS)



ALFATECH ENGINEERS PVT. LTD.

AEPL-PES-24

(PLASTIC CASE PANEL MOUNT SINGLE OUTPUT 24W)



SELECTION GUIDE:

Model Number	Output Power (Watt)	Output Voltage and Output Current (V/I)	Efficiency
AEPL-PES-24-5-WM	15W	5V/3A	>85%
AEPL-PES-24-12-WM	24W	12V/2A	>85%
AEPL-PES-24-24-WM	24W	24V/1A	>85%

INPUT SPECIFICATIONS:

AC Input Voltage	90 to 300V AC
DC Input Voltage	130 to 400V DC
Input Voltage Frequency	47Hz to 63Hz
Input Current	1A Typical at 230V AC
Input Inrush Current	Limited by NTC Thermistor to 35A
Leakage current	<0.75 mA at 230V AC

OUTPUT SPECIFICATIONS:

Line Regulation	±1%
Load Regulation	±1%
Ripple and Noise	150mVp-p
Hold Time	20ms

PROTECTIONS:

Input under voltage	Cutoff level 140V AC; Turn on voltage 160V AC
Input over voltage	310V AC units shuts off, restart when input is less than 275V AC
Overload/Short Circuit Protection	>105% hiccup mode, auto-recovery



(+91) 9890 205159



amitalfatechengineers@gmail.com
sales@alfatechengineers.in



OPP DHAWANS NURSERY, RAMBAUG LANE
UPVAN, POKHARAN ROAD 1, THANE(W)-400606 MH

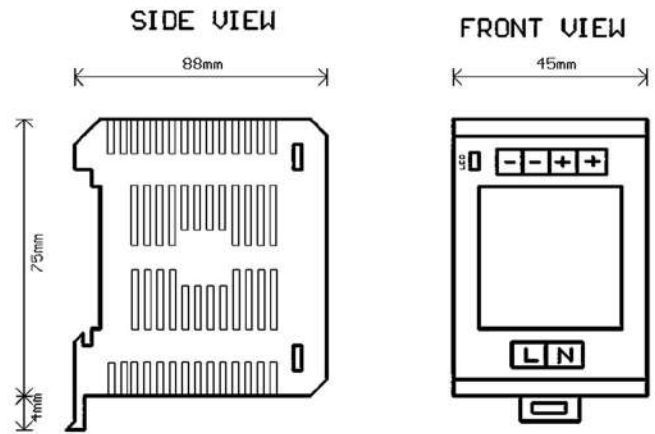
SWITCH MODE POWER SUPPLY (SMPS)



ALFATECH ENGINEERS PVT. LTD.

AEPL-PES-35

(PLASTIC CASE SINGLE OUTPUT 35W)



*Unit available in Panel mounting and Din Rail Type

SELECTION GUIDE:

Model Number	Output Power (Watt)	Output Voltage and Output Current (V/I)	Efficiency
AEPL-PES-35-5-XX	35W	5V/6.5A	>85%
AEPL-PES-35-12-XX	35W	12V/3A	>85%
AEPL-PES-35-24-XX	35W	24V/1.5A	>85%
AEPL-PES-35-48-XX	35W	48V/0.7A	>85%

INPUT SPECIFICATIONS:

AC Input Voltage	170 to 270V AC
DC Input Voltage	200 to 380V DC
Input Voltage Frequency	47Hz to 63Hz
Input Current	1A Typical at 230V AC
Input Inrush Current	Limited by NTC Thermistor to 35A
Leakage current	<0.75 mA at 230V AC

OUTPUT SPECIFICATIONS:

Line Regulation	±1%
Load Regulation	±1%
Ripple and Noise	150mVp-p
Hold Time	20mS

PROTECTIONS:

Input under voltage	Cutoff level 140V AC; Turn on voltage 160V AC
Input over voltage	310V AC units shuts off, restart when input is less than 275V AC
Overload/Short Circuit Protection	>105% hiccup mode, auto-recovery



(+91) 9890 205159



amitfatechengineers@gmail.com
sales@alfatechengineers.in



OPP DHAWANS NURSERY, RAMBAUG LANE
UPVAN, POKHARAN ROAD 1, THANE(W)-400606 MH

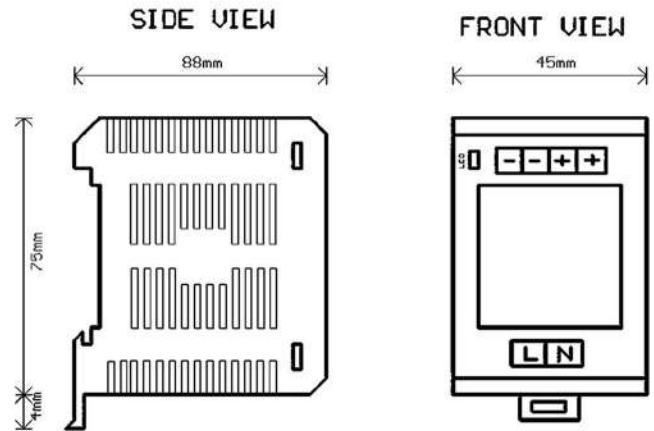
SWITCH MODE POWER SUPPLY (SMPS)



ALFATECH ENGINEERS PVT. LTD.

AEPL-PES-72

(PLASTIC CASE SINGLE OUTPUT 72W)



*Unit available in Panel mounting and Din Rail Type

SELECTION GUIDE:

Model Number	Output Power (Watt)	Output Voltage and Output Current (V/I)	Efficiency
AEPL-ES-72-12-XX	60W	12V/5A	>85%
AEPL-ES-72-24-XX	72W	24V/3A	>85%
AEPL-ES-72-48-XX	72W	48V/1.5A	>85%

INPUT SPECIFICATIONS:

AC Input Voltage	170 to 270V AC
DC Input Voltage	200 to 380V DC
Input Voltage Frequency	47Hz to 63Hz
Input Current	1A Typical at 230V AC
Input Inrush Current	Limited by NTC Thermistor to 35A
Leakage current	<0.75 mA at 230V AC

OUTPUT SPECIFICATIONS:

Line Regulation	±1%
Load Regulation	±1%
Ripple and Noise	150mVp-p
Hold Time	20mS

PROTECTIONS:

Input under voltage	Cutoff level 140V AC; Turn on voltage 160V AC
Input over voltage	310V AC units shuts off, restart when input is less than 275V AC
Overload/Short Circuit Protection	>105% hiccup mode, auto-recovery



(+91) 9890 205159



amalfatechengineers@gmail.com
sales@alfatechengineers.in



OPP DHAWANS NURSERY, RAMBAUG LANE
UPVAN, POKHARAN ROAD 1, THANE(W)-400606 MH

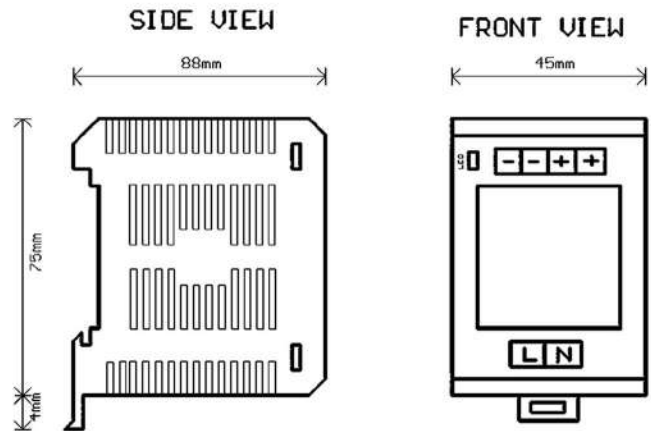
SWITCH MODE POWER SUPPLY (SMPS)



ALFATECH ENGINEERS PVT. LTD.

AEPL-PES-100

(PLASTIC CASE SINGLE OUTPUT 100W)



*Unit available in Panel mounting and Din Rail Type

SELECTION GUIDE:

Model Number	Output Power (Watt)	Output Voltage and Output Current (V/I)	Efficiency
AEPL-PES-100-12-XX	72W	12V/6A	>85%
AEPL-PES-100-24-XX	100W	24V/4A	>85%
AEPL-PES-100-48-XX	100W	48V/2A	>85%

INPUT SPECIFICATIONS:

AC Input Voltage	170 to 270V AC
DC Input Voltage	200 to 380V DC
Input Voltage Frequency	47Hz to 63Hz
Input Current	1A Typical at 230V AC
Input Inrush Current	Limited by NTC Thermistor to 35A
Leakage current	<0.75 mA at 230V AC

OUTPUT SPECIFICATIONS:

Line Regulation	±1%
Load Regulation	±1%
Ripple and Noise	150mVp-p
Hold Time	20mS

PROTECTIONS:

Input under voltage	Cutoff level 140V AC; Turn on voltage 160V AC
Input over voltage	310V AC units shuts off, restart when input is less than 275V AC
Overload/Short Circuit Protection	>105% hiccup mode, auto-recovery



(+91) 9890 205159



amitfatechengineers@gmail.com
sales@alfatechengineers.in



OPP DHAWANS NURSERY, RAMBAUG LANE
UPVAN, POKHARAN ROAD 1, THANE(W)-400606 MH

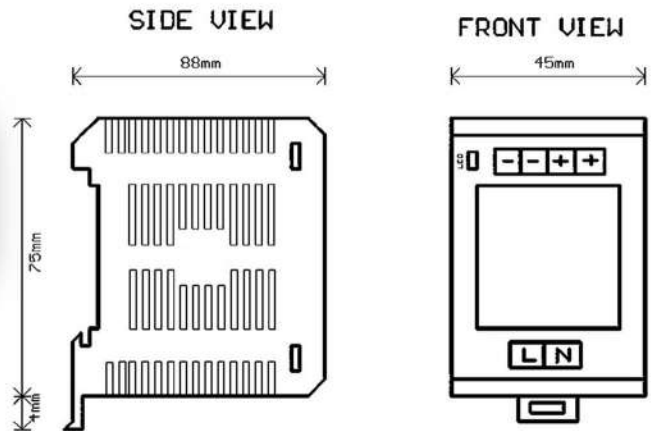
SWITCH MODE POWER SUPPLY (SMPS)



ALFATECH ENGINEERS PVT. LTD.

AEPL-PES-125

(PLASTIC CASE SINGLE OUTPUT 125W)



*Unit available in Panel mounting and Din Rail Type

SELECTION GUIDE:

Model Number	Output Power (Watt)	Output Voltage and Output Current (V/I)	Efficiency
AEPL-PES-125-24-XX	125W	24V/5A	>85%

INPUT SPECIFICATIONS:

AC Input Voltage	170 to 270V AC
DC Input Voltage	200 to 380V DC
Input Voltage Frequency	47Hz to 63Hz
Input Current	1A Typical at 230V AC
Input Inrush Current	Limited by NTC Thermistor to 35A
Leakage current	<0.75 mA at 230V AC

OUTPUT SPECIFICATIONS:

Line Regulation	±1%
Load Regulation	±1%
Ripple and Noise	150mVp-p
Hold Time	20mS

PROTECTIONS:

Input under voltage	Cutoff level 140V AC; Turn on voltage 160V AC
Input over voltage	310V AC units shuts off, restart when input is less than 275V AC
Overload/Short Circuit Protection	>105% hiccup mode, auto-recovery



(+91) 9890 205159



amitfatechengineers@gmail.com
sales@alfatechengineers.in



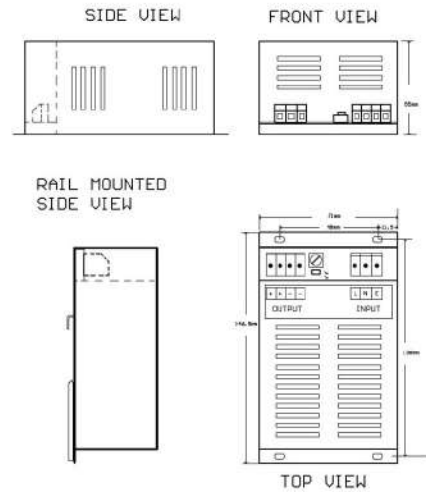
OPP DHAWANS NURSERY, RAMBAUG LANE
UPVAN, POKHARAN ROAD 1, THANE(W)-400606 MH

SWITCH MODE POWER SUPPLY (SMPS)



ALFATECH ENGINEERS PVT. LTD.

AEPL-ES-72 (METAL CASE SINGLE OUTPUT 72W)



*Unit available in Panel mounting and Din Rail Type

SELECTION GUIDE:

Model Number	Output Power (Watt)	Output Voltage and Output Current (V/I)	Efficiency
AEPL-ES-75-5-RM	50W	5V/10A	>85%
AEPL-ES-75-12-RM	60W	12V/5A	>85%
AEPL-ES-75-16-RM	80W	16V/5A	>85%
AEPL-ES-75-24-RM	72W	24V/3A	>85%
AEPL-ES-75-48-RM	72W	48V/1.5A	>85%

INPUT SPECIFICATIONS:

AC Input Voltage	170 to 270V AC
DC Input Voltage	200 to 380V DC
Input Voltage Frequency	47Hz to 63Hz
Input Current	1A Typical at 230V AC
Input Inrush Current	Limited by NTC Thermistor to 35A
Leakage current	<2 mA at 230V AC

OUTPUT SPECIFICATIONS:

Line Regulation	±1%
Load Regulation	±1%
Ripple and Noise	150mVp-p
Hold Time	20mS

PROTECTIONS:

Input under voltage	Cutoff level 140V AC; Turn on voltage 160V AC
Input over voltage	310V AC units shuts off, restart when input is less than 275V AC
Overload/Short Circuit Protection	>105% hiccup mode, auto-recovery



(+91) 9890 205159



amitalfatechengineers@gmail.com
sales@alfatechengineers.in



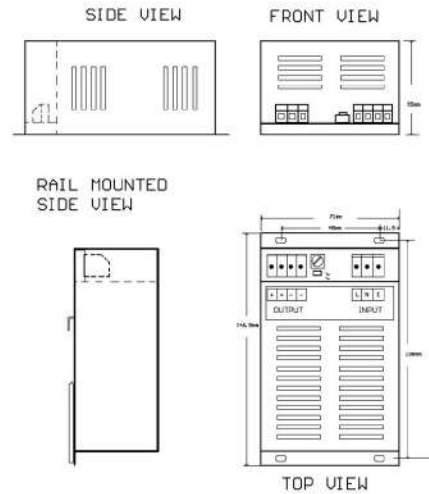
OPP DHAWANS NURSERY, RAMBAUG LANE
UPVAN, POKHARAN ROAD 1, THANE(W)-400606 MH

SWITCH MODE POWER SUPPLY (SMPS)



ALFATECH ENGINEERS PVT. LTD.

AEPL-ES-125 (METAL CASE SINGLE OUTPUT 125W)



*Unit available in Panel mounting and Din Rail Type

SELECTION GUIDE:

Model Number	Output Power (Watt)	Output Voltage and Output Current (V/I)	Efficiency
AEPL-ES-120-5-RM	75W	5V/15A	>85%
AEPL-ES-120-12-RM	120W	12V/10A	>85%
AEPL-ES-120-24-RM	120W	24V/5A	>85%
AEPL-ES-120-48-RM	120W	48V/2.5A	>85%

INPUT SPECIFICATIONS:

AC Input Voltage	170 to 270V AC
DC Input Voltage	200 to 380V DC
Input Voltage Frequency	47Hz to 63Hz
Input Current	1A Typical at 230V AC
Input Inrush Current	Limited by NTC Thermistor to 35A
Leakage current	<2 mA at 230V AC

OUTPUT SPECIFICATIONS:

Line Regulation	±1%
Load Regulation	±1%
Ripple and Noise	150mVp-p
Hold Time	20mS

PROTECTIONS:

Input under voltage	Cutoff level 140V AC; Turn on voltage 160V AC
Input over voltage	310V AC units shuts off, restart when input is less than 275V AC
Overload/Short Circuit Protection	>105% hiccup mode, auto-recovery



(+91) 9890 205159



amitalfatechengineers@gmail.com
sales@alfatechengineers.in



OPP DHAWANS NURSERY, RAMBAUG LANE
UPVAN, POKHARAN ROAD 1, THANE(W)-400606 MH

SWITCH MODE POWER SUPPLY (SMPS)



ALFATECH ENGINEERS PVT. LTD.

AEPL-ES-180 (METAL CASE SINGLE OUTPUT 125W)



*Unit available in Panel mounting and Din Rail Type

SELECTION GUIDE:

Model Number	Output Power (Watt)	Output Voltage and Output Current (V/I)	Efficiency
AEPL-ES-180-5-XX	100W	5V/20A	>85%
AEPL-ES-180-12-XX	180W	12V/15A	>85%
AEPL-ES-180-24-XX	180W	24V/7.5A	>85%
AEPL-ES-180-36-XX	180W	36V/5A	>85%
AEPL-ES-180-48-XX	180W	48V/3.7A	>85%

INPUT SPECIFICATIONS:

AC Input Voltage	170 to 270V AC
DC Input Voltage	200 to 380V DC
Input Voltage Frequency	47Hz to 63Hz
Input Current	1.5A Typical at 230V AC
Input Inrush Current	Limited by NTC Thermistor to 35A
Leakage current	<2 mA at 230V AC

OUTPUT SPECIFICATIONS:

Line Regulation	±1%
Load Regulation	±1%
Ripple and Noise	150mVp-p
Hold Time	20mS

PROTECTIONS:

Input under voltage	Cutoff level 140V AC; Turn on voltage 160V AC
Input over voltage	310V AC units shuts off, restart when input is less than 275V AC
Overload/Short Circuit Protection	>105% hiccup mode, auto-recovery



(+91) 9890 205159



amitfatechengineers@gmail.com
sales@alfatechengineers.in



OPP DHAWANS NURSERY, RAMBAUG LANE
UPVAN, POKHARAN ROAD 1, THANE(W)-400606 MH

SWITCH MODE POWER SUPPLY (SMPS)



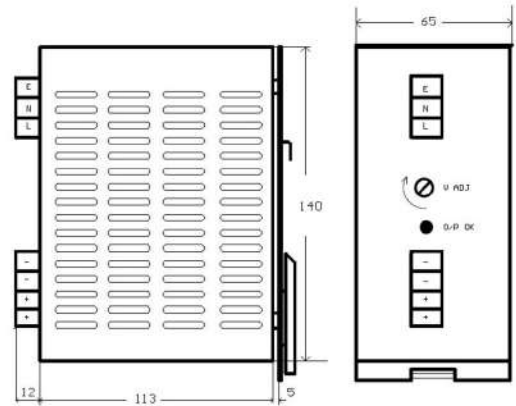
ALFATECH ENGINEERS PVT. LTD.

AEPL-ES-240 (METAL CASE SINGLE OUTPUT 240W)



SIDE VIEW

FRONT VIEW
RAIL MOUNT



*Unit available in Panel mounting and Din Rail Type

SELECTION GUIDE:

Model Number	Output Power (Watt)	Output Voltage and Output Current (V/I)	Efficiency
AEPL-ES-240-12-XX	240W	12V/20A	>85%
AEPL-ES-240-24-XX	240W	24V/10A	>85%
AEPL-ES-240-36-XX	240W	36V/6.5A	>85%
AEPL-ES-240-48-XX	240W	48V/5A	>85%

INPUT SPECIFICATIONS:

AC Input Voltage	170 to 270V AC
DC Input Voltage	200 to 380V DC
Input Voltage Frequency	47Hz to 63Hz
Input Current	2A Typical at 230V AC
Input Inrush Current	Limited by NTC Thermistor to 35A
Leakage current	<2 mA at 230V AC

OUTPUT SPECIFICATIONS:

Line Regulation	±1%
Load Regulation	±1%
Ripple and Noise	150mVp-p
Hold Time	20mS

PROTECTIONS:

Input under voltage	Cutoff level 140V AC; Turn on voltage 160V AC
Input over voltage	310V AC units shuts off, restart when input is less than 275V AC
Overload/Short Circuit Protection	>105% hiccup mode, auto-recovery



(+91) 9890 205159



amitfatechengineers@gmail.com
sales@alfatechengineers.in



OPP DHAWANS NURSERY, RAMBAUG LANE
UPVAN, POKHARAN ROAD 1, THANE(W)-400606 MH

SWITCH MODE POWER SUPPLY (SMPS)



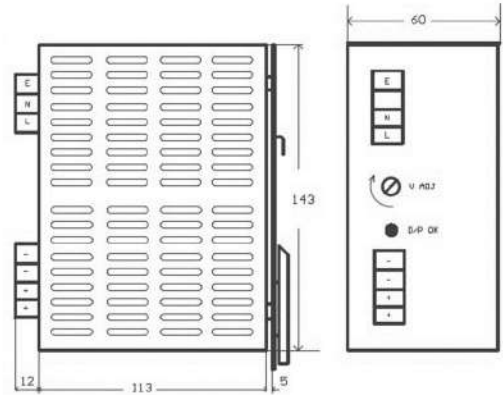
ALFATECH ENGINEERS PVT. LTD.

AEPL-ES-350 (METAL CASE SINGLE OUTPUT 350W)



SIDE VIEW

FRONT VIEW
RAIL MOUNT



*Unit available in Panel mounting and Din Rail Type

SELECTION GUIDE:

Model Number	Output Power (Watt)	Output Voltage and Output Current (V/I)	Efficiency
AEPL-ES-350-15-XX	345W	15V/23A	>85%
AEPL-ES-350-24-XX	360W	24V/15A	>85%
AEPL-ES-350-36-XX	360W	36V/10A	>85%
AEPL-ES-350-48-XX	360W	48V/7.5A	>85%

INPUT SPECIFICATIONS:

AC Input Voltage	170 to 270V AC
DC Input Voltage	200 to 380V DC
Input Voltage Frequency	47Hz to 63Hz
Input Current	2.5A Typical at 230V AC
Input Inrush Current	Limited by NTC Thermistor to 35A
Leakage current	<2 mA at 230V AC

OUTPUT SPECIFICATIONS:

Line Regulation	±1%
Load Regulation	±1%
Ripple and Noise	150mVp-p
Hold Time	20mS

PROTECTIONS:

Input under voltage	Cutoff level 140V AC; Turn on voltage 160V AC
Input over voltage	310V AC units shuts off, restart when input is less than 275V AC
Overload/Short Circuit Protection	>105% hiccup mode, auto-recovery



(+91) 9890 205159



amitfatechengineers@gmail.com
sales@alfatechengineers.in



OPP DHAWANS NURSERY, RAMBAUG LANE
UPVAN, POKHARAN ROAD 1, THANE(W)-400606 MH

SWITCH MODE POWER SUPPLY (SMPS)



ALFATECH ENGINEERS PVT. LTD.

AEPL-ESC-100

(METAL CASE PANEL+ DIN RAIL DUAL OUTPUT 100W)



*Unit available in Panel mounting and Din Rail Type

SELECTION GUIDE:

Model Number	Output Power (Watt)	Output Voltage and Output Current (V/I)	Efficiency
AEPL-ESC-100-A-XX	72W	12V5A/5V2.5A	>85%
AEPL-ESC-100-B-XX	85W	24V3A/5V2.5A	>85%
AEPL-ESC-100-C-XX	96W	24V3A/12V2A	>85%
AEPL-ESC-100-D-XX	115W	34V3A/5V2.5A	>85%

INPUT SPECIFICATIONS:

AC Input Voltage	170 to 270V AC
DC Input Voltage	200 to 380V DC
Input Voltage Frequency	47Hz to 63Hz
Input Current	1A Typical at 230V AC
Input Inrush Current	Limited by NTC Thermistor to 35A
Leakage current	<2 mA at 230V AC

OUTPUT SPECIFICATIONS:

Line Regulation	±1%
Load Regulation	±1%
Ripple and Noise	150mVp-p
Hold Time	20mS

PROTECTIONS:

Input under voltage	Cutoff level 140V AC; Turn on voltage 160V AC
Input over voltage	310V AC units shuts off, restart when input is less than 275V AC
Overload/Short Circuit Protection	>105% hiccup mode, auto-recovery



(+91) 9890 205159



amitfatechengineers@gmail.com
sales@alfatechengineers.in



OPP DHAWANS NURSERY, RAMBAUG LANE
UPVAN, POKHARAN ROAD 1, THANE(W)-400606 MH

SWITCH MODE POWER SUPPLY (SMPS)

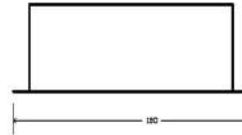


ALFATECH ENGINEERS PVT. LTD.

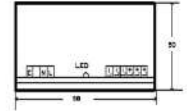
AEPL-LES-350 (PANEL MOUNT SINGLE OUTPUT 350W)



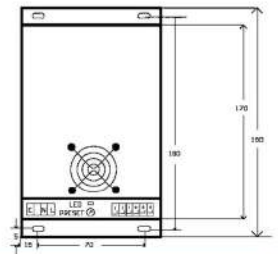
SIDE VIEW



FRONT VIEW



TOP VIEW



SELECTION GUIDE:

Model Number	Output Power (Watt)	Output Voltage and Output Current (V/I)	Efficiency
AEPL-LES-350-5-WM	150W	5V/30A	>85%
AEPL-LES-350-12-WM	300W	12V/25A	>85%
AEPL-LES-350-15-WM	345W	15V/23A	>85%
AEPL-LES-350-24-WM	360W	24V/15A	>85%
AEPL-LES-350-36-WM	360W	36V/10A	>85%
AEPL-LES-350-48-WM	360W	48V/7.5A	>85%

INPUT SPECIFICATIONS:

AC Input Voltage	170 to 270V AC
DC Input Voltage	200 to 380V DC
Input Voltage Frequency	47Hz to 63Hz
Input Current	2.5A Typical at 230V AC
Input Inrush Current	Limited by NTC Thermistor to 35A
Leakage current	<2 mA at 230V AC

OUTPUT SPECIFICATIONS:

Line Regulation	±1%
Load Regulation	±1%
Ripple and Noise	150mVp-p
Hold Time	20mS

PROTECTIONS:

Input under voltage	Cutoff level 140V AC; Turn on voltage 160V AC
Input over voltage	310V AC units shuts off, restart when input is less than 275V AC
Overload/Short Circuit Protection	>105% hiccup mode, auto-recovery



(+91) 9890 205159



amitfatechengineers@gmail.com
sales@alfatechengineers.in



OPP DHAWANS NURSERY, RAMBAUG LANE
UPVAN, POKHARAN ROAD 1, THANE(W)-400606 MH

SWITCH MODE POWER SUPPLY (SMPS)

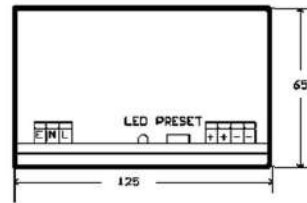


ALFATECH ENGINEERS PVT. LTD.

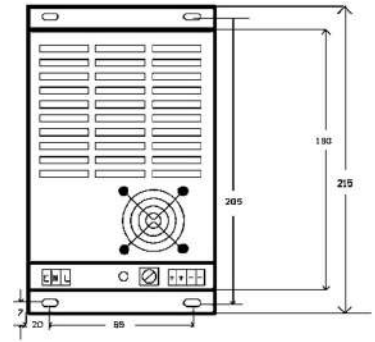
AEPL-LES-480 (PANEL MOUNT SINGLE OUTPUT 480W)



FRONT VIEW



TOP VIEW



SELECTION GUIDE:

Model Number	Output Power (Watt)	Output Voltage and Output Current (V/I)	Efficiency
AEPL-LES-480-12-WM	420W	12V/35A	>85%
AEPL-LES-480-24-WM	480W	24V/20A	>85%
AEPL-LES-480-36-WM	480W	36V/13A	>85%
AEPL-LES-480-48-WM	480W	48V/10A	>85%

INPUT SPECIFICATIONS:

AC Input Voltage	170 to 270V AC
DC Input Voltage	200 to 380V DC
Input Voltage Frequency	47Hz to 63Hz
Input Current	3A Typical at 230V AC
Input Inrush Current	Limited by NTC Thermistor to 35A
Leakage current	<2 mA at 230V AC

OUTPUT SPECIFICATIONS:

Line Regulation	±1%
Load Regulation	±1%
Ripple and Noise	150mVp-p
Hold Time	20mS

PROTECTIONS:

Input under voltage	Cutoff level 140V AC; Turn on voltage 160V AC
Input over voltage	310V AC units shuts off, restart when input is less than 275V AC
Overload/Short Circuit Protection	>105% hiccup mode, auto-recovery



(+91) 9890 205159



amitalfatechengineers@gmail.com
sales@alfatechengineers.in



OPP DHAWANS NURSERY, RAMBAUG LANE
UPVAN, POKHARAN ROAD 1, THANE(W)-400606 MH

SWITCH MODE POWER SUPPLY (SMPS)

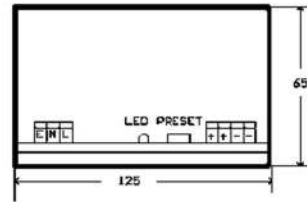


ALFATECH ENGINEERS PVT. LTD.

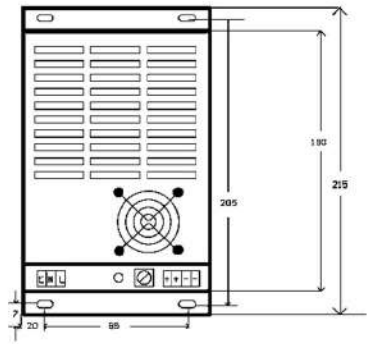
AEPL-LES-600 (PANEL MOUNT SINGLE OUTPUT 600W)



FRONT VIEW



TOP VIEW



SELECTION GUIDE:

Model Number	Output Power (Watt)	Output Voltage and Output Current (V/I)	Efficiency
AEPL-LES-600-24-WM	600W	24V/25A	>85%
AEPL-LES-600-48-WM	600W	48V/12.5A	>85%

INPUT SPECIFICATIONS:

AC Input Voltage	170 to 270V AC
DC Input Voltage	200 to 380V DC
Input Voltage Frequency	47Hz to 63Hz
Input Current	4A Typical at 230V AC
Input Inrush Current	Limited by NTC Thermistor to 35A
Leakage current	<2 mA at 230V AC

OUTPUT SPECIFICATIONS:

Line Regulation	±1%
Load Regulation	±1%
Ripple and Noise	150mVp-p
Hold Time	20mS

PROTECTIONS:

Input under voltage	Cutoff level 140V AC; Turn on voltage 160V AC
Input over voltage	310V AC units shuts off, restart when input is less than 275V AC
Overload/Short Circuit Protection	>105% hiccup mode, auto-recovery



(+91) 9890 205159



amitalfatechengineers@gmail.com
sales@alfatechengineers.in



OPP DHAWANS NURSERY, RAMBAUG LANE
UPVAN, POKHARAN ROAD 1, THANE(W)-400606 MH