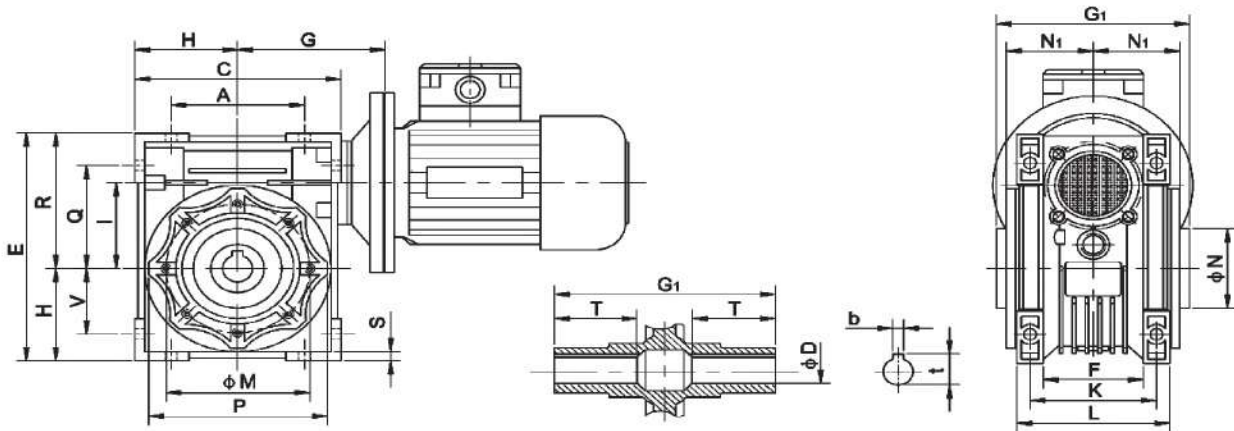


WORM GEARED BOX



ALFATECH ENGINEERS PVT. LTD.

Worm Geared Box:- Dimension



Size	A	B	C	D (H7)	D ₁ (J6)	E	F	G	G ₁	G ₂	H	I	L	M	N (h8)	N ₁	O	P	Q	R
30	54	20	80	14	9	97	32	55	63	51	40	30	56	65	55	29	6.5	75	44	57
40	70	23	100	18 (19)	11	121.5	43	70	78	60	50	40	71	75	60	36.5	6.5	87	55	71.5
50	80	30	120	25 (24)	14	144	49	80	92	74	60	50	85	85	70	43.5	8.5	100	64	84
63	100	40	144	25 (28)	19	174	67	95	112	90	72	63	103	95	80	53	8.5	110	80	102
75	120	50	172	28 (35)	24	205	72	112.5	120	105	86	75	112	115	95	57	11	140	93	119
90	140	50	208	35 (38)	24	238	74	129.5	140	125	103	90	130	130	110	67	13	160	102	135
110	170	60	252.5	42	28	295	-	160	155	142	127.5	110	144	165	130	74	14	200	125	167.5
130	200	80	292.5	45	30	335	-	180	170	162	147.5	130	155	215	180	81	16	250	140	187.5
150	240	80	340	50	35	400	-	210	200	192	170	150	185	215	180	96	18	250	180	230

Size	S	T	V	K	KA			KB			KC			KE	α	α ₁	KM			KN (H8)			KO			KP			KQ			b	b ₁	f	t	t ₁	kg
					F	FB	FL	F	FB	FL	F	FB	FL				F	FB	FL	F	FB	FL	F	FB	FL	F	FB	FL	F	FB	FL						
30	5.5	21	27	44	54.5	-	-	6	-	-	4	-	-	M6X11 (n,4)	0°	45°	68	-	-	50	-	-	6.5 (n,4)	-	-	80	-	-	70	-	-	5	3	-	16.3	10.2	1.2
40	6.5	26	35	60	67	76.5	97	7	9	7	4	5	4	M6X8 (n,4)	45°	45°	87	115	87	60	95	60	9 (n,4)	9.5 (n,4)	9 (n,4)	110	140	110	95	-	95	6(6)	4	-	20.8 (21.8)	12.5	2.3
50	7	30	40	70	90	87.5	120	9	10	9	5	5	5	M8X10 (n,4)	45°	45°	90	130	90	70	110	70	11 (n,4)	9.5 (n,4)	11 (n,4)	125	160	125	110	-	110	8(8)	5	M6	28.3 (27.3)	16.0	3.5
63	8	36	50	85	82	99	112	10	11	10	6	5	6	M8X14 (n,4)	45°	45°	150	165	150	115	130	115	11 (n,4)	11 (n,4)	11 (n,4)	180	200	180	142	-	142	8(8)	6	M6	28.3 (31.3)	21.5	6.2
75	10	40	60	90	111	-	-	13	-	-	6	-	-	M8X14 (n,4)	45°	45°	165	-	-	130	-	-	14 (n,4)	-	-	200	-	-	170	-	-	8(10)	8	M8	31.3 (38.3)	27.0	9
90	11	45	70	100	111	-	-	13	-	-	6	-	-	M10X18 (n,4)	45°	45°	175	-	-	152	-	-	14 (n,4)	-	-	210	-	-	200	-	-	10 (10)	8	M8	38.3 (41.3)	27.0	13
110	14	50	85	115	131	-	-	15	-	-	6	-	-	M10X18 (n,4)	45°	45°	230	-	-	170	-	-	14 (n,4)	-	-	280	-	-	250	-	-	12	8	M10	45.3	31.0	35
130	15	60	100	120	140	-	-	15	-	-	6	-	-	M12X21 (n,4)	45°	22.5°	255	-	-	180	-	-	16 (n,4)	-	-	320	-	-	290	-	-	14	8	M10	48.8	33.0	48
150	18	72.5	120	145	155	-	-	15	-	-	6	-	-	M12X21 (n,4)	45°	22.5°	255	-	-	180	-	-	16 (n,4)	-	-	320	-	-	290	-	-	14	10	M12	53.8	38.0	84

BL - Code for Aluminium Casing Reducer, M - With Motor Mounting Flange, Size - Centre Distance



(+91) 9890 205159



sales@alfatechengineers.in
www.alfatechengineers.com



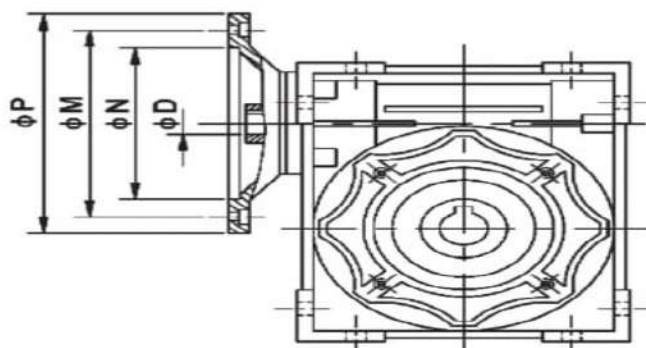
OPP DHAWANS NURSERY, RAMBAUG LANE
UPVAN, POKHARAN ROAD 1, THANE(W)-400606 MH

WORM GEARED BOX



ALFATECH ENGINEERS PVT. LTD.

Motor Mounting Facility



Size	PAM IEC	N	M	P	7.5	10	15	20	25	30	40	50	60	80	100	
					D											
25	56B14	50	65	80	9	9	9	9	-	9	9	9	9	-	-	
	63B5	95	115	140	11	11	11	11	11	11	11	11	-	-	-	
30	63B14	60	75	90												
	56B5	80	100	120	9	9	9	9	9	9	9	9	9	9	-	
40	56B14	50	65	80												
	71B5	110	130	160	14	14	14	14	14	14	14	-	-	-	-	
	71B14	70	85	105												
	63B5	95	115	140	11	11	11	11	11	11	11	11	11	11	11	11
	63B14	60	75	90												
50	56B5	80	100	120	-	-	-	-	-	-	-	9	9	9	9	
	80B5	130	165	200	19	19	19	19	19	19	-	-	-	-	-	
	80B14	80	100	120												
	71B5	110	130	160	14	14	14	14	14	14	14	14	14	14	-	
	71B14	70	85	105												
63	63B5	95	115	140	-	-	-	-	-	-	11	11	11	11	11	
	90B5	130	165	200	24	24	24	24	24	24	-	-	-	-	-	
	90B14	95	115	140												
	80B5	130	165	200	19	19	19	19	19	19	19	19	19	19	-	-
	80B14	80	100	120												
75	71B5	110	130	160	-	-	-	-	-	-	14	14	14	14	14	
	71B14	70	85	105												
	100/112B5	180	215	250	28	28	28	-	-	-	-	-	-	-	-	
	100/112B14	110	130	160												
	90B5	130	165	200	24	24	24	24	24	24	24	-	-	-	-	
90	90B14	95	115	140												
	80B5	130	165	200	-	-	-	19	19	19	19	19	19	19	19	
	80B14	80	100	120												
	71B5	110	130	160	-	-	-	-	-	-	-	14	14	14	14	
	100/112B5	180	215	250	28	28	28	28	28	28	-	-	-	-	-	
110	100/112B14	110	130	160												
	90B5	130	165	200	24	24	24	24	24	24	24	24	24	24	24	
	80B5	130	165	200	-	-	-	-	-	-	-	-	-	-	19	19
	132B5	230	265	300	38	38	38	38	-	-	-	-	-	-	-	
130	100/112B5	180	215	250	28	28	28	28	28	28	28	28	28	28	-	-
	90B5	130	165	200	-	-	-	-	24	24	24	24	24	24	24	
	100/112B14	110	130	160												
150	132B5	230	265	300	38	38	38	38	38	38	38	-	-	-	-	
	160B5	250	300	350	42	42	42	42	-	-	-	-	-	-	-	
	100/112B5	180	215	250	-	-	-	-	28	28	28	28	28	28	28	



(+91) 9890 205159



sales@alfatechengineers.in
www.alfatechengineers.com



OPP DHAWANS NURSERY, RAMBAUG LANE
UPVAN, POKHARAN ROAD 1, THANE(W)-400606 MH